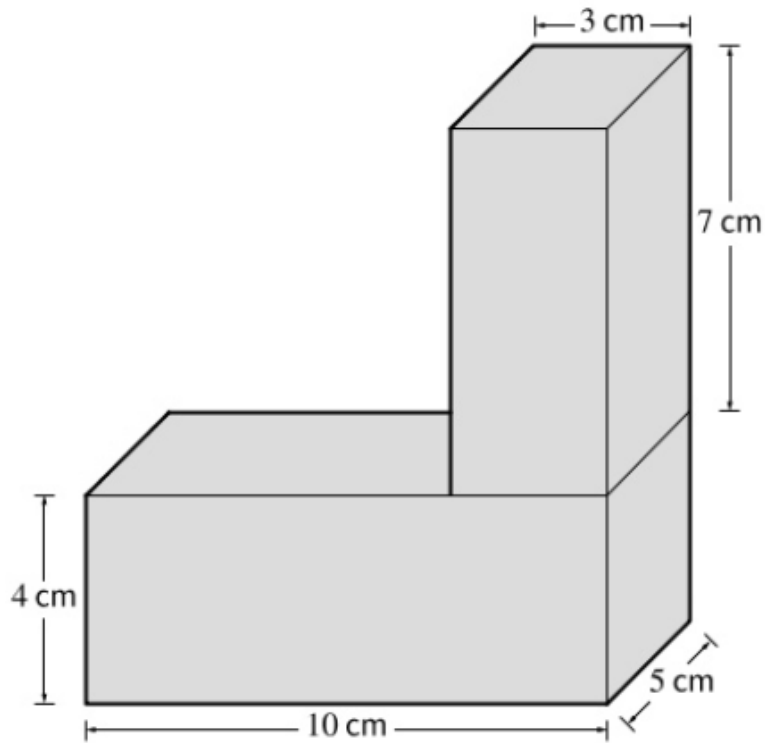


MCAP ... Grade 5 Practice (Section 1)

- 1 The following figure is made up of two rectangular prisms with the same width of 5 centimeters. Other dimensions of the prisms are given in centimeters.



What is the volume, in cubic centimeters, of the figure?

Enter your answer in the space provided.

MCAP ... Grade 5 Practice (Section 1)

2 What is the value of $\frac{5}{7} - \frac{1}{3}$?

A $\frac{4}{21}$

B $\frac{8}{21}$

C $\frac{4}{7}$

D $\frac{4}{4}$

3 A number is shown in expanded form.

$$3 \times 10 + 6 \times 1 + 8 \times \frac{1}{1,000}$$

What is this number in standard form?

Enter your answer in the space provided.

4 Tom travels $3\frac{2}{3}$ miles to school every day. Sara travels $\frac{3}{5}$ of Tom's distance.

How many miles does Sara travel to school?

A $2\frac{1}{5}$

B $3\frac{1}{15}$

C $3\frac{2}{5}$

D $6\frac{1}{9}$

MCAP ... Grade 5 Practice (Section 1)

5 What is the remainder when 3,235 is divided by 20?

Enter your answer in the space provided.

6 Which **two** equations are correct?

Select the **two** correct answers.

A $\frac{1}{5} \div 4 = \frac{4}{5}$

B $\frac{1}{6} \div 2 = \frac{1}{3}$

C $\frac{1}{8} \div 3 = \frac{1}{24}$

D $\frac{1}{10} \div 4 = \frac{5}{2}$

E $\frac{1}{16} \div 2 = \frac{1}{32}$

MCAP ... Grade 5 Practice (Section 1)

7 Which table shows expressions that represent these phrases?

- 8 more than the product of 5 and 7
- 5 times the sum of 7 and 8

Select one answer.

A

8 more than the product of 5 and 7	5 times the sum of 7 and 8
$(8 + 5) \times 7$	$5 \times 7 + 8$

B

8 more than the product of 5 and 7	5 times the sum of 7 and 8
$8 + 5 \times 7$	$5 \times 7 + 8$

C

8 more than the product of 5 and 7	5 times the sum of 7 and 8
$(8 + 5) \times 7$	$5 \times (7 + 8)$

D

8 more than the product of 5 and 7	5 times the sum of 7 and 8
$8 + 5 \times 7$	$5 \times (7 + 8)$

MCAP ... Grade 5 Practice (Section 1)

- 8 A student started a project using a pencil with a length of $7\frac{1}{2}$ inches. After the student completed the project, the pencil had a length of $5\frac{7}{8}$ inches.

How much shorter, in inches, was the pencil after the student completed the project than when the student started the project?

- A $1\frac{4}{8}$
- B $1\frac{5}{8}$
- C $2\frac{3}{8}$
- D $2\frac{6}{8}$
- 9 What is the value of the following expression?

$$985 \times 23$$

Select one answer.

- A 4,925
- B 10,345
- C 22,655
- D 23,555

MCAP ... Grade 5 Practice (Section 1)

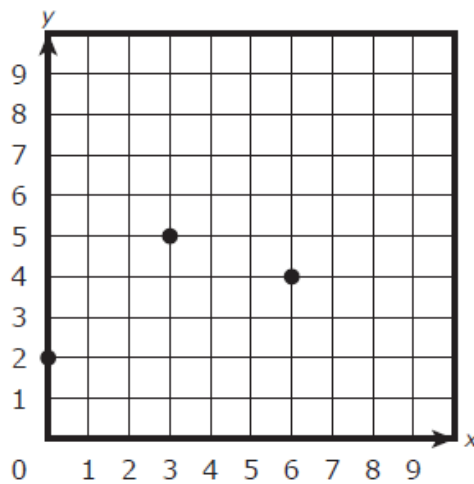
10 Monica has 4 boxes to place in an empty carton.

- The mass of each box is 4.5 kilograms.
- The mass of the carton is 500 **grams**.

What is the total mass, in **grams**, of the carton and the 4 boxes?

Enter your answer in the space provided.

11 Three points are shown in the given coordinate plane.



Which **three** pairs of coordinates are the coordinates of the points shown?

Select the **three** correct answers.

- A** (0, 2)
- B** (2, 0)
- C** (3, 5)
- D** (4, 6)
- E** (5, 3)
- F** (6, 4)

MCAP ... Grade 5 Practice (Section 1)

- 12** There are 18 students in Ms. Avila's reading class. Ms. Avila will assign an equal number of pages for each student to read aloud from a book that contains a total of 45 pages.

What is the total number of pages that each student will read aloud?

Select one answer.

A $\frac{2}{5}$

B $2\frac{1}{2}$

C 27

D 63

MCAP ... Grade 5 Practice (Section 1)

Answers

Item Number	Answer Key
1.	305
2.	B
3.	36.008
4.	A
5.	15
6.	C, E
7.	D
8.	B
9.	C
10.	18500
11.	A, C, E